

Expansion 1 Channel Ceiling Fan Controller – Mesbus Technical Documentation

EX-CFC-1



Features:

- 1 Channel ceiling fan controller
- Control up to 5 speeds
- 10 scene functionality – Configurable from Scene 1 to 64
- 1 LED indicator showing that the device is ON
- Manual operation using push buttons and LEDs status indicators of MES-DO-16R
- Din rail mount assembly

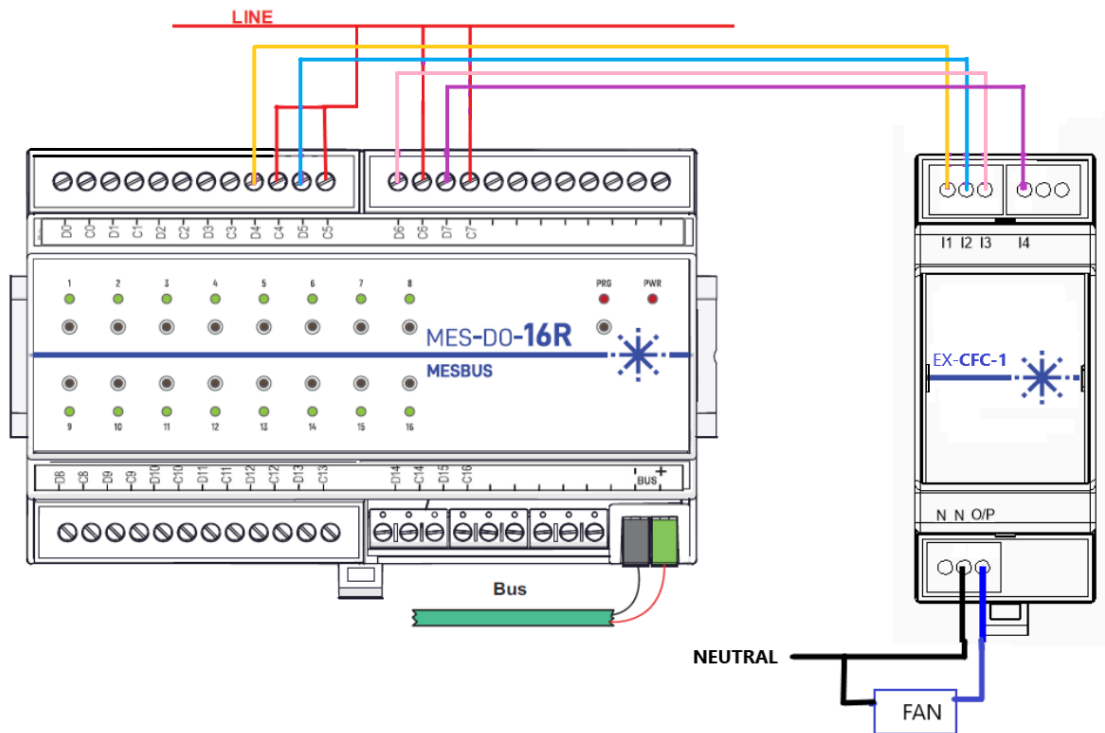
General Product Specifications

External supply	No																														
IP Class	IP 20																														
Operating Temperature	0 – 70 °C																														
Storage Temperature	-25 to +75 °C																														
Ambient Humidity	5 to 95% RH (No Condensation)																														
Storage Humidity	5 to 95% RH (No Condensation)																														
Usage	Indoor, to be mounted inside distribution boxes or electrical panels with DIN rail																														
Led Indication (EX-CFC-1)	1 Red LED showing that the device is ON (ON -> Speed 1 to 5, OFF -> Speed 0)																														
Manual Test facility (MES-DO-16R)	1 Push button for Speed Change and 4 green LEDs for speed indication (of MES-DO-16R) Button Operation: Button 1 → Channel 1 Button 5 → Channel 2 Button 9 → Channel 3 Button 13 → Channel 4 LED Indication: <table border="1" style="display: inline-table; vertical-align: middle;"> <tr> <td>○</td><td>○</td><td>○</td><td>○</td><td>Speed 0</td> </tr> <tr> <td>●</td><td>○</td><td>○</td><td>○</td><td>Speed 1</td> </tr> <tr> <td>○</td><td>●</td><td>○</td><td>○</td><td>Speed 2</td> </tr> <tr> <td>○</td><td>○</td><td>●</td><td>○</td><td>Speed 3</td> </tr> <tr> <td>○</td><td>○</td><td>○</td><td>●</td><td>Speed 4</td> </tr> <tr> <td>●</td><td>●</td><td>●</td><td>●</td><td>Speed 5</td> </tr> </table>	○	○	○	○	Speed 0	●	○	○	○	Speed 1	○	●	○	○	Speed 2	○	○	●	○	Speed 3	○	○	○	●	Speed 4	●	●	●	●	Speed 5
○	○	○	○	Speed 0																											
●	○	○	○	Speed 1																											
○	●	○	○	Speed 2																											
○	○	●	○	Speed 3																											
○	○	○	●	Speed 4																											
●	●	●	●	Speed 5																											

Output Specifications	
Number of Outputs	1
Maximum load for EX-CFC-1	90W
Control of EX-CFC-1	MES-DO-16R*
Number of outputs from MES-DO-16R	4
Connection Type	Screw Terminal Block
Recommended cable selection	0.5 mm ² to 4 mm ² (26-10 AWG)
Cable Type	Stranded or Solid wire

*Refer MES-DO-16R datasheet for more details

Wiring Example for channel 2 of MES-DO-16R:



Note: Please refer below table for more details on wiring.

MES-DO-16R Output	EX-CFC-1 Input	MES-DO-16R Output	EX-CFC-1 Input	MES-DO-16R Output	EX-CFC-1 Input	MES-DO-16R Output	EX-CFC-1 Input
D0/R1	I1	D4/R5	I1	D8/R9	I1	D12/R13	I1
D1/R2	I2	D5/R6	I2	D9/R10	I2	D13/R14	I2
D2/R3	I3	D6/R7	I3	D10/R11	I3	D14/R15	I3
D3/R4	I4	D7/R8	I4	D11/R12	I4	D15/R16	I4

⚠ SAFETY INSTRUCTIONS

- Installation should only be performed by qualified professionals according to the laws and regulations.
- Do not connect the mains voltage nor any other external voltage to any point of the Mesbus connector; it would represent a risk for the entire system. The facility must have enough insulation between the mains (or auxiliary) voltage and the Mesbus or the wires of other accessories, in case of being installed.
- Once the device is installed (in the panel or box), it must not be accessible from outside.
- Keep the device away from water and do not cover it with clothes, paper or any other material while in use.



Messung Systems Pvt. Ltd.

501 Lunkad Sky Vista, Viman Nagar, Pune 411 014, India.

T: +91 20 6649 2800 | e: info@messung.com | w: www.messung.com