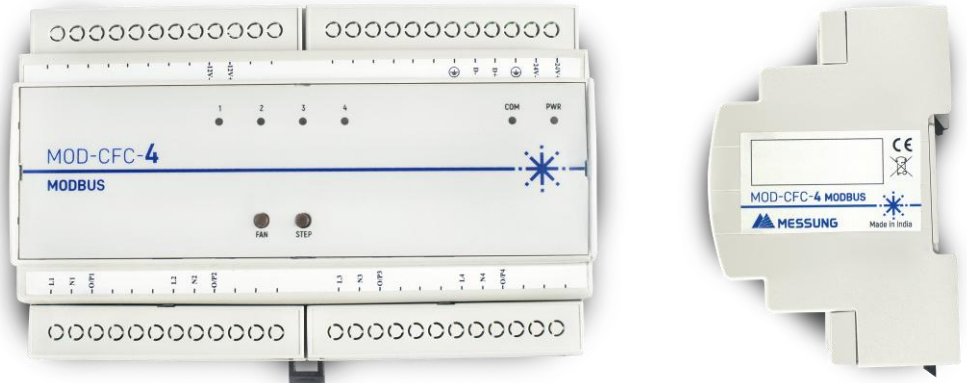


4 CH Ceiling Fan Controller-Modbus RTU Technical Documentation

# MOD-CFC-4



**Features:**

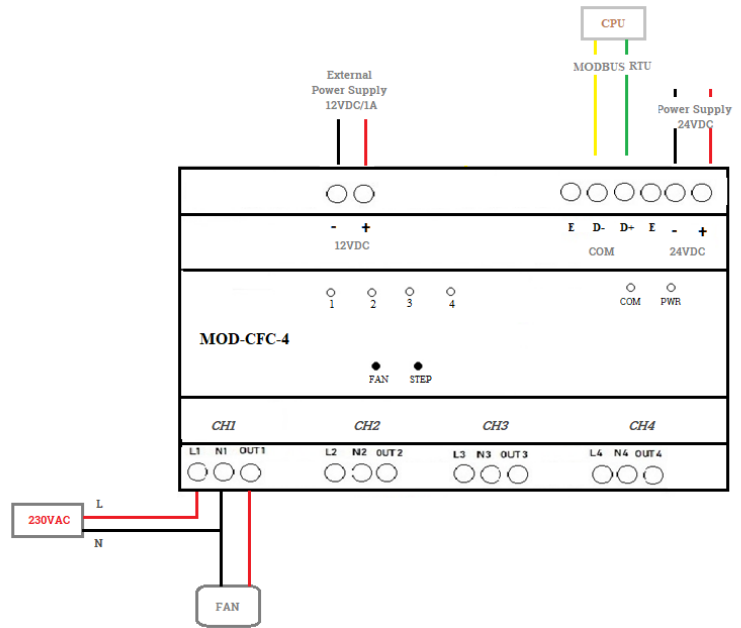
- 4 Channel Ceiling Fan Controller
- Control up to 5 speeds for each channel
- Manual output operation with push button
- Total data saving on bus failure
- DIN rail mount assembly
- Dimension: 142.3 (L) X 90.5 (H) X 62 (D) mm [8 DIN Units]
- DIP switch for Modbus RTU slave configuration
- No configuration software needed
- CE Mark

<ul style="list-style-type: none"> <li>• <b>Manual Push Button:</b></li> <li>• 1. FAN: Select Fan Channel to be operate</li> <li>• 2. STEP: Change speed of fan from 0 to 5</li> </ul>
--

General Product Specifications:	
Device Type	Electric Operation Control Device
Main Supply	Voltage (typical) 24VDC
	Voltage Range 18-30 VDC
	Connection type Pluggable Terminal Connector
Other External Supply	12VDC
Mains Voltage	230VAC (50 Hz), + 10 % -20%
Communication Interface & Protocol	RS485 & MODBUS RTU
No. of Channels	4
Speed Control for each Channel	Step 1 to 5 and OFF
Maximum recommended Load per Output	90W
Protection	Fuse protection on load side
IP Level	IP20
Isolation	Isolation between I/O and Logic
Operating Temperature	0 to 70 °C
Storage Temperature	-25 °C to +75 °C
Ambient Humidity	5 to 95 % RH (no condensation)
Dimension	142.3 (L) X 90.5 (H) X 62 (D) mm [8 DIN Units]
Manual Test Facility	2 Push button switches - 1. Select Fan 2. Select Speed
Certification	CE
Usage	Indoor, to be mounted inside distribution boxes or electrical panels with DIN rail
Power ON response	When power resumes, last fan speed and other settings will automatically apply
Operation Indicator	LED (RED) for DC power ON, Flickering Yellow LED to indicate communication, GREEN LEDS (4 no's) indicating fan channel selection

## WIRING DIAGRAM

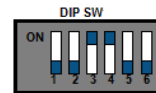
Modbus Communication Specifications	
Protocol	Slave Modbus RTU
Baud Rate	9600,19200
Slave Address	1-15
Data Bit	8
Stop Bit	1
Parity	None
Response Time	<100ms
Termination Resistance	120ohms
Control Registers	Holding Register 1 to 4 (Value-0-5)
Distance	Up to 1200m



## Modbus Configuration DIP Switch Access

### Steps:

1. Open the upper fascia plate of the module.
2. Adjust the DIP switch according to requirements. Refer below image.



Slave ID	DIP Switch			
	Slave ID Configuration			
	1	2	3	4
1	OFF	OFF	OFF	ON
2	OFF	OFF	ON	OFF
3	OFF	OFF	ON	ON
4	OFF	ON	OFF	OFF
5	OFF	ON	OFF	ON
6	OFF	ON	ON	OFF
7	OFF	ON	ON	ON
8	ON	OFF	OFF	OFF
9	ON	OFF	OFF	ON
10	ON	OFF	ON	OFF
11	ON	OFF	ON	ON
12	ON	ON	OFF	OFF
13	ON	ON	OFF	ON
14	ON	ON	ON	OFF
15	ON	ON	ON	ON

Termination Resistor Configuration	
Termination (120 ohm)	DIP Switch
	5
ON	ON
OFF	OFF

Baud Rate Configuration	
Baud Rate	DIP Switch
	6
9600	OFF
19200	ON

## SAFETY INSTRUCTIONS

- Installation should only be performed by qualified professionals according to the laws and regulations.
- Do not connect the mains voltage nor any other external voltage to any point of the Modbus connector; it would represent a risk for the entire system. The facility must have enough insulation between the mains (or auxiliary) voltage and the Modbus or the wires of other accessories, in case of being installed.
- Keep the device away from water and do not cover it with clothes, paper or any other material while in use.



### Messung Systems Pvt. Ltd.

501 Lunkad Sky Vista, Viman Nagar, Pune 411 014, India.

T: +91 20 6649 2800 | e: [info@messung.com](mailto:info@messung.com) | w: [www.messung.com](http://www.messung.com)