

CP-USC-TA24L3-D

2.4MP WDR IR Cosmic Bullet Camera - 30Mtr.

- 1/2.9" 2.4MP PS CMOS Image Sensor
- Max 25/30fps@2.4MP
- WDR, Day/Night (ICR), 2D-DNR, AWB, AGC, BLC, HLC
- 3.6mm fixed lens (2.8mm, 6mm optional)
- IR Range of 30 Mtrs., IP67
- OSD Menu, control over coaxial cable, 2D-DNR
- HD, SD, and Two Others Analog formats output switchable



System Overview

Analog cameras can be advantageous in more ways than one – they are economical, especially for large scale setups, and are simple to install. However, one of the major downsides of earlier analog cameras was the image quality, which is critical in the present times. With subsequent technological upgrades over the years, HD resolution was introduced in analog CCTV systems. This served as a major breakthrough as high quality imagery was only available in IP system which was comparatively a costlier option.

Another challenge with analog systems was its compatibility constraint. Newer versions of analog cameras would not pair up with older versions. CP PLUS introduced the revolutionary UNI + technology which supported all analog & HD video formats including CVBS.



CP-USC-TA24L3-D

2.4MP WDR IR Cosmic Bullet Camera - 30Mtr.

Functions

OSD Menu support

CP PLUS HD analog cameras come with their own menu using which the camera settings can be managed, for instance, the signal type can be changed and other sensor level adjustments be made.

WDR

The Wide Dynamic Range (WDR) feature in these cameras provide vivid pictures even in the most contrasting light conditions. That's not all; CP PLUS analog cameras offer True WDR, which optimizes both bright and dark areas of a shot to provide a distinct picture with all elements intact.

UNI+ technology

CP PLUS Analog HD cameras offer compatibility across all the available technologies - CVBS, TVI, HDCVI, AHD and HDx, making upgrading simple and hassle-free.

Power protection

With a voltage tolerance range of ± 30 , these cameras are suitable even in fluctuating power conditions.

Plug & Play

CP PLUS Analog HD cameras are simple to configure and install.

IR LED

Numerous IR LEDs provide detailed images even in very low light conditions. These LEDs adjust the infrared intensity for distinct images in dark environments for up to 30mtrs.

About CP PLUS

The brand that is on its way to lead the world when it comes to the security and surveillance industry, CP PLUS, keeps bombarding the market with the most reliable range of products that have been designed carefully and methodically to automate the whole surveillance and security process, no matter how big your premises are.

It was the initiative to help the public in the area where they are the most vulnerable and to empower the sense of safety in our hearts that had conceptualized CP PLUS. And embarking on its mission to make the world a safer and more secure place has taken the brand's journey to unprecedented levels even when compared to international competitors.



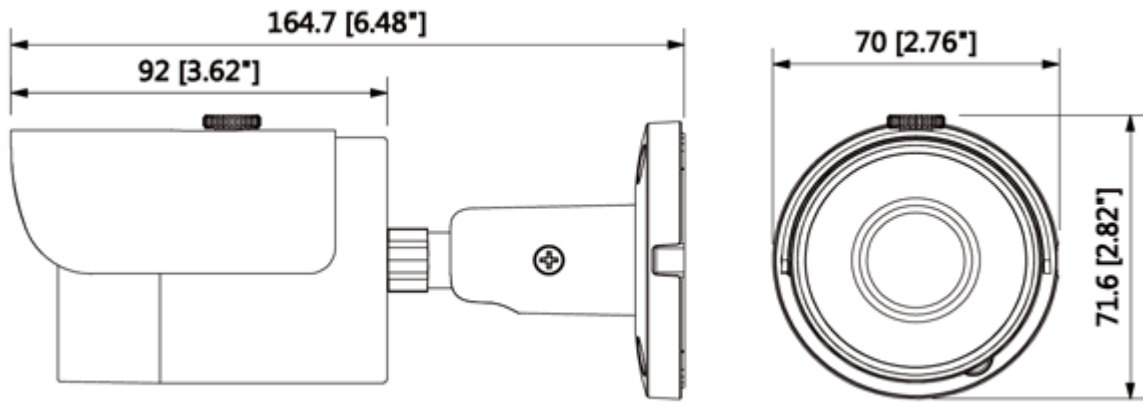
CP-USC-TA24L3-D

2.4MP WDR IR Cosmic Bullet Camera - 30Mtr.

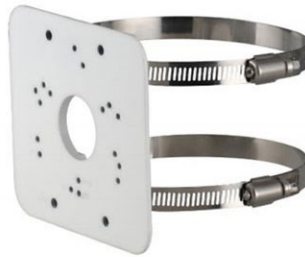
Feature	Specification
Image Sensor	1/2.9" CMOS
Minimum Illumination	0.02Lux/F2.0, 30IRE, 0Lux IR on
Effective Pixels	2.4MP
Shutter Speed	PAL: 1/25~1/100000s NTSC: 1/30~1/100000s
White Balance	Auto / Manual
Gain Control (AGC)	Auto
Lens	3.6mm (2.8mm, 6mm Optional)
Lens Type	Fixed Lens / Fixed Iris
Mount Type	Board-in
Max Aperture	F2.0
Close Focus Distance	800mm (500mm, 1900mm) 31.5" (19.7", 74.8")
DORI Distance	2.8mm: 45m; 3.6mm: 57m; 6mm: 86m(Detect); 2.8mm: 18m; 3.6mm: 23m; 6mm: 34m (Observe); 2.8mm: 9m; 3.6mm: 11m; 6mm: 17m (Recognize); 2.8mm: 5m; 3.6mm: 6m; 6mm: 9m(Identify)
Noise Reduction	2D-DNR
Back Light Compensation	BLC / HLC / WDR (100dB)
Angle of View	H: 80.8° (106°, 51°)
S/N Ratio	More than 65dB
Video Streaming	25/30fps@2.4MP, 25/30/50/60fps@720P
Video Output	1-channel BNC high definition video output / CVBS video output (Can switch)
ICR	Auto (ICR) / Manual
OSD	Multi-language
IR	IR Range of 30 Mtr.
Operating Temperature	-40°C ~ +60°C (-40°F ~ +140°F) / Less than 95% RH

Feature	Specification
Power Source	12V DC \pm 25%
Power Consumption	Max 2.8W (12V DC, IR on)
Weatherproof Standard	IP67
Casing	Aluminium
Dimension	164.7mm \times 70mm \times 71.6mm (6.48" \times 2.76" \times 2.82")
Weight	0.35kg

Dimensions (mm/inch)



Accessories : Optional



CP-UA-B2P
Pole Mount