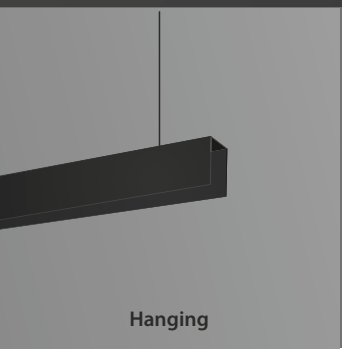
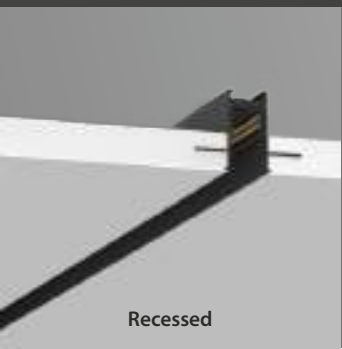
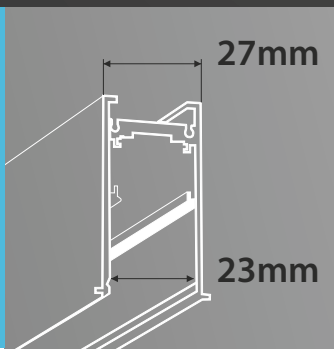


# MARBUL PLUS

LFTL1124 D

## MAGNETIC TRACK LIGHTS



Wattage (W)	12W
LUMEN OUTPUT	N 4000K 1200
	W 3000K 1080

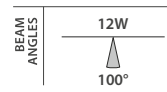
SYSTEM EFFICIENCY	No. of LEDs	-
	Driver Rating	48V DC
	UGR Rating	>25

DIMENSIONS (in mm)	Diameter Ø	113
	Height H	35
	Adapter L	185

Recessed (Trimless)		
Track Size	L	500 / 1000 / 2000
	W	67
Cutout	H	54
	Ø	30

Surface mounted / Pendant / Recessed		
Track Size	L	500 / 1000 / 2000
	W	27 (23mm Inner width)
	H	54

SYSTEM SPECS	Housing	Aluminum
	LED Make	Edison
	Driver Brand	Meanwell (External)
	Dimming	Analog



COLOUR OPTIONS	Black	Champagne Gold
	White	

CRI	TEMP	IP RATING	INPUT
>80	0-45°	IP-20	48VDC

