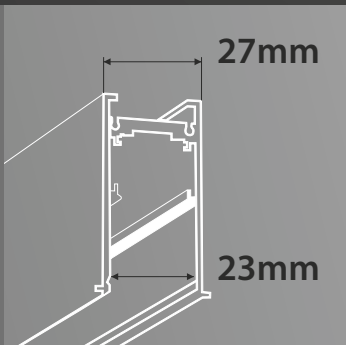


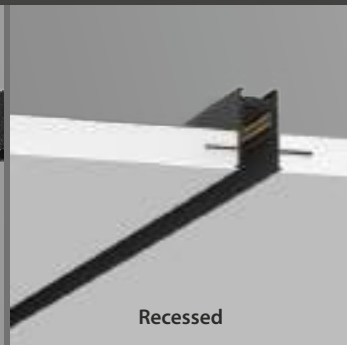
MARBUL PLUS

LFTL1124 G

MAGNETIC TRACK LIGHTS



Surface



Recessed



Hanging

Wattage (W)		7W	15W	22W	
LUMEN OUTPUT	N 4000K	700	1500	2200	
	W 3000K	630	1350	2090	
SYSTEM EFFICIENCY	Driver Rating	48V DC	48V DC	48V DC	
	UGR Rating	>25	>25	>25	
DIMENSIONS (in mm)	Size	L	233	463	693
		W	22	22	22
	Height	H	43	43	43
Recessed (Trimless)					
Track Size	L	500 / 1000 / 2000			
	W	67			
	H	54			
	Ø	30			
Surface mounted / Pendant / Recessed					
Track Size	L	500 / 1000 / 2000			
	W	27 (23mm Inner width)			
	H	54			

SYSTEM SPECS	Housing	Aluminum
	LED Make	Edison
	Driver Brand	Meanwell (External)
	Dimming Tunable	Analog (Tunable + Dimmable) - Dali (Tunable + Dimmable) - SmartNext Eco/Alexa
BEAM ANGLES	7W,15W,22W	
	100°	
COLOUR OPTIONS	Black	
CRI	>80	
TEMP	0-45°	
IP RATING	IP-20	
INPUT	48VDC	

