

DH-PFM885-I

Indoor 2.4G Wireless Elevator AP



Features

- Use the high-performance 802.11n 2x2 MIMO chip, and the highest rate can achieve 300Mbps;
- Support proprietary protocol TDMA; when the wireless devices open TDMA, other manufacturers will not be able to link them which ensure the system safety;
- DC or POE power supply optional, which make a strong scene applicability and be more flexible to use;
- Support auto ranging function, real time display straight line distance between client and base station;
- Support device auto reboot function;
- Working frequency support 2412~2472Mhz(extended range: 2312~2732Mhz);
- Support flow control, effectively control base station/client input/output flow control;
- Support VLAN partition, implement the data flow and business flow isolation from each other;
- Multiple front-end ports design, which is conducive to the application development;
- Customize the work mode, which will be convenient for the wireless laypeople to use quickly;
- Use the wireless multimedia optimization shaping technology, which ensures the stability of the video and flow transmission.

Dahua Technology Co., Ltd.

1199 BinAn Road, Binjiang District, Hangzhou, China

Tel: +86-571-87688883

Fax: +86-571-87688815

Email: overseas@dahuatech.com

www.dahuasecurity.com

DH-PFM885-I

Specifications

Model	DH-PFM885-I
Wireless Features	
Wireless Standard	IEEE802.11 b/g/n
Working Frequency	2412~2472MHz(extended range: 2312~2732MHz)
Wireless Speed	300Mbps
Modulation Mode	OFDM
Antenna	Internal antenna: gain 6dBi
Output Power	27dBm (max)
Receiving Sensitivity	11b: -97dBm@ 1Mbps; 11g: -94dBm@6Mbps; 11n: -72dBm@MCS7
Transmission Distance	500m
Wireless Direction Angle	Horizontal 65°, vertical 60°
Hardware	
Power	1*PoE RJ45(IN: 220V, OUT: 48V/0.25A), DC 12V
Power Consumption	Max. 8W
Ethernet Port	2*LAN RJ45
Working Temperature	-30°C ~ +70°C
Storage Temperature	-40°C ~ +80°C
Working Humidity	5%~95%RH(no condensation)
Equipment Dimension	150mm×150mm×32mm
Equipment Weight	0.5Kg
Protection Level	IP41
Software	
Encryption Type	WPA-PSK/WPA2/CCMP(AES)/TKIP
Network Mode	Route/Network Bridge
Working Mode	Access Point/Client/WDS AP/WDS client
Security Mechanism	IP/MAC address filtering, hide network name and etc.
Network Protocol	TCP/UDP/ARP/ICMP/DHCP/HTTP/NTP
TDMA Enhancement	Support(TDMA eliminate hidden nodes influence and greatly improve one-to-many performance)
Auto ACK Timing Adjustment	Support(Auto optimize parameter within long-distance communication and make the performance optimal)
Management and Log	NTP, Syslog, Telnet, AC, SNMP
Webpage Configuration Management	Support webpage configuration, AC remote management and SNMP management
Firmware Update	Support Firmware webpage update and AC remote upgrade
Bandwidth Flexible Configuration	5/10/20/40MHz

Dahua Technology Co., Ltd.

1199 BinAn Road, Binjiang District, Hangzhou, China

Tel: +86-571-87688883

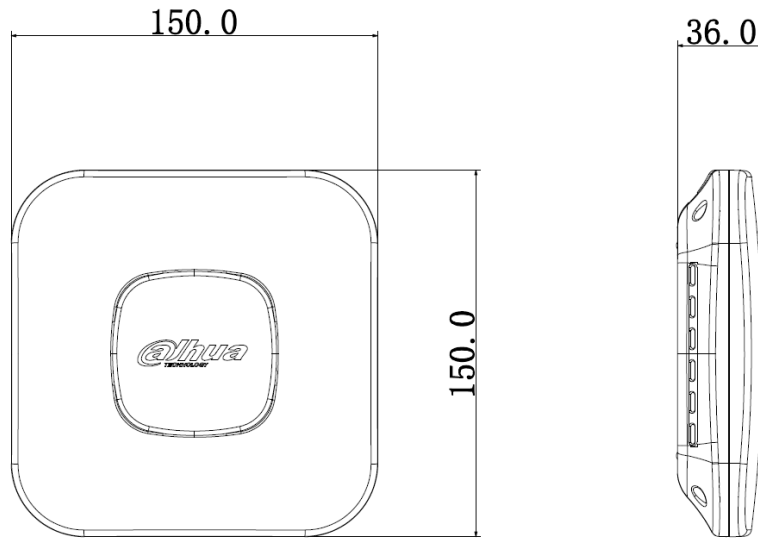
Fax: +86-571-87688815

Email: overseas@dahuatech.com

www.dahuasecurity.com

DH-PFM885-I

Dimension (mm)



Application Scenarios

- The special scene: the elevator IP wireless HD video monitoring.

Note: PFM885-I is a 2.4GHz wireless device, there are only 3 wireless channels (1/6/11) which won't interfere with each other. It's recommended to use ≤ 3 * PFM885-I in an elevator shaft. Please use 5GHz wireless bridge such as PFWB5-30n if you have more than 3 elevators in a single elevator shaft.

Network Mode

DH-PFM885-I contain two wireless device, one is set as access point, the other one is set as client point, for point-to-point communication, as demonstrated below.

Dahua Technology Co., Ltd.

1199 BinAn Road, Binjiang District, Hangzhou, China

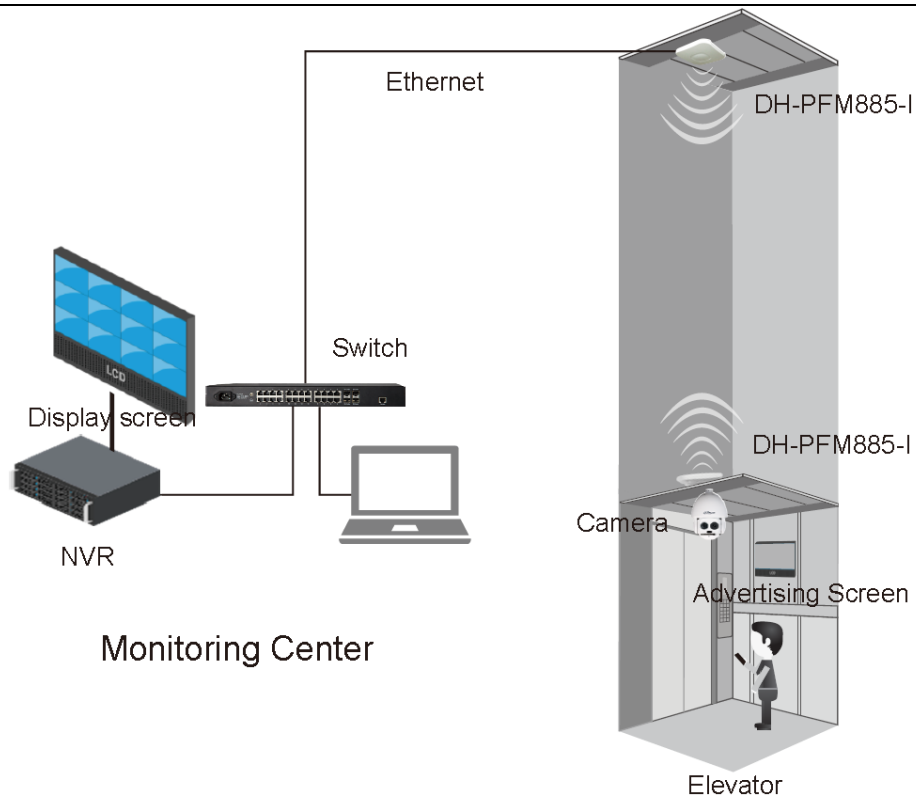
Tel: +86-571-87688883

Fax: +86-571-87688815

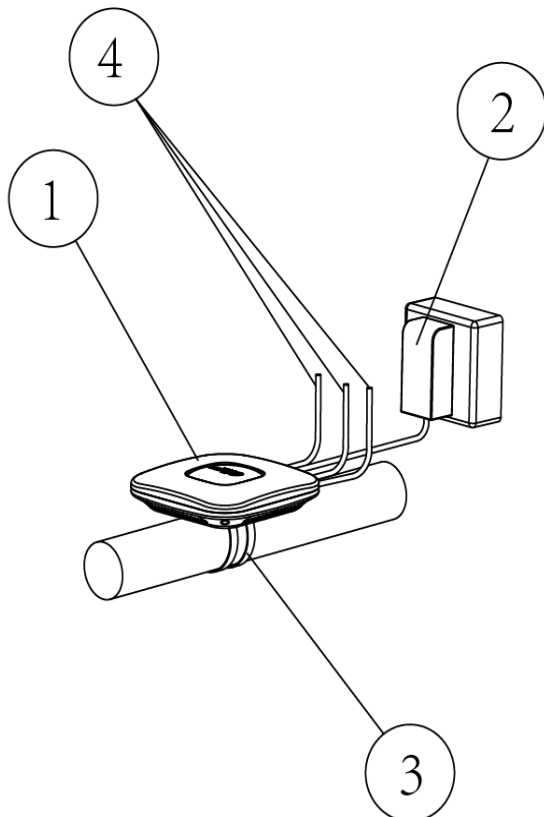
Email: overseas@dahuatech.com

www.dahuasecurity.com

DH-PFM885-I



Connection Mode



1. DH-PFM885-I equipment
2. DC12V power supply (Power adaptor is not included in the package.)
3. Metal hoops for installing the equipment
4. 3*LAN RJ45 for connecting the cameras.(The 'POE' port is suggested for PoE power supply)

Note:

1. One set of wireless device contains two wireless equipment and power adaptor is not included.
2. One wireless equipment is installed at the top of the elevator car, and the other one is installed inside the elevator shaft, all be fixed by the metal hoops.
3. If used PoE power supply for the wireless equipment, there are 2*LAN RJ45 which can be connected with camera; if used private DC12V power supply, there are 3*LAN RJ45 which all can be connected with cameras.

Dahua Technology Co., Ltd.

1199 BinAn Road, Binjiang District, Hangzhou, China

Tel: +86-571-87688883

Fax: +86-571-87688815

Email: overseas@dahuatech.com

www.dahuasecurity.com