

# DHI-KTP03

## IP Indoor Monitor & Villa Station



### Technical Specification

DHI-VTH2621G-P

#### System

Main Processor	Embedded processor
Operating System	Embedded Linux operating system
Interoperability	ONVIF; SDK
Network Protocol	RTSP; RTP; SIP; DNS; SSH
ROM	128 MB
RAM	128 MB
CPU	Dual core 1.2 GHz

#### Basic

Screen Type	Capacitive touchscreen
Display	7" TFT
Screen Resolution	1024 × 600
Audio Compression	G.711a; G.711u; PCM
Audio Input	1
Audio Output	Built-in speaker
Audio Mode	2-way audio
Audio Enhancement	Echo suppression
Audio Bit Rate	16 kHz; 16 bit

#### IP Indoor Monitor

- 7" TFT capacitive touch screen, 1024 x 600
- 6-channel alarm input and 1-channel alarm output
- standard PoE
- Door station and IPC monitor.
- H.265 and H.264 video decoding
- High performance & cost-effective

#### Villa Station

- High definition camera; WDR
- Operating temperature -30 °C to +60 °C
- IP65
- auto IR illumination and D/N
- Card/app remote/indoor monitor (VTH) unlock
- 2-channel voice call and supports calls between door stations and app
- 10,000 cards
- Tamper alarm
- Supports standard PoE power supply
- Control two locks
- Quick configuration without computers

#### Switch

- 4 PoE ports with 10/100 Mbps Base-TX
- 2 uplink ports with 10/100Mbps Base-TX
- Supports 250 m long distance PoE transmission



#### Function

Communication Mode	Full digital
Information Release	Receive and view text information released by the management center
Leave Videos	Yes (SD card inserted in VTH is needed)
DND Mode	Do not disturb period can be set; Do not disturb mode
Number of Extensions	Villa: 9 Apartment: 4

#### Performance

Casing	PC + ABS
--------	----------

#### Port

Alarm Input	6
Alarm Output	1
Door Bell	Yes (use any alarm input port)
Network	One 10 Mbps/100 Mbps Ethernet

# DHI-KTP03

Storage	Micro SD Card, Max 64 GB (reserved for software)
<b>General</b>	
Appearance Color	Black
Power Supply	12 VDC 1A; Standard PoE (36–57 V, 0.35 A)
Installation	Surface Mount
Certifications	CE; FCC
Dimensions	189.6 mm × 134.6 mm × 26.0 mm (7.50" × 5.30" × 1.00")
Operating Temperature	–10 °C to +55 °C (+14 °F to 131 °F)
Operating Humidity	10%–95% (RH) (non-condensing)
Operating Altitude	Beneath 3,000 m (9,842.52 ft)
Power Consumption	Standby ≤ 2 W; working ≤ 6 W
Net Weight	0.34 kg (0.74 lb)
Gross Weight	0.58 kg (1.27 lb)

## DHI-VTO2111D-P-S2

### System

Main Processor	Embedded processor
Operating System	Embedded Linux operating system
Button Type	Mechanical
Interoperability	ONVIF; CGI
Internet Protocol	RTSP; RTMP; HTTP/HTTPS; DNS; FTP; UPnP; RTP; SIP; SSH; ONVIF; P2P
ROM	128 MB
RAM	256 MB
CPU	Dual-core 900 MHz

### Basic

Camera	1/2.7" 1MP CMOS
Angle of View	H: 107°; V: 61°; D: 122°
Focal Length	2.0 mm
WDR	120 dB
Noise Reduction	3D NR
Video Compression	H.264
Video Resolution	50 Hz: Main stream (720p@25 fps), sub stream (1080p@25 fps) 60 Hz: Main stream (720p@30 fps), sub stream (1080p@30 fps)
Frame Rate	25 fps
Video Bit Rate	256 kbps to 4 Mbps
Light Compensation	Auto IR
D/N	Yes
Audio Compression	G.711a; G.711u; PCM

Audio Input	1
Audio Output	Built-in speaker
Audio Mode	2-way Audio
Audio Enhancement	Echo suppression and cancellation/digital noise reduction
Audio Bit Rate	16 kHz, 16 bit

### Function

Communication	Full digital
Unlock Mode	Card/remote unlock
Card Type	IC card
Auto Snapshot	Auto snapshot can only be enabled on indoor monitors
Leave Videos	Yes (SD card inserted in VTH is needed)
Web Configuration	Yes

### Performance

Card Reading Distance	3–5 cm
Casing	PC + Acrylic

### Capacity

Card	10,000
------	--------

### Port

RS-485	1
Alarm Output	1
Exit Button	1
Door Status Detection	1
Lock Control	1
Network	One 10 Mbps/100 Mbps Ethernet (8-core white ribbon cable)

### Alarm

Tamper	Yes
--------	-----

### General

Appearance Color	Black
Power Supply	12 VDC 1A; Standard PoE (36–57 V, 0.35 A)
Installation	Surface Mount
Certifications	CE; FCC; UL
Dimensions	135 mm × 70.4 mm × 34.4 mm (5.31" × 2.77" × 1.35")
Protection	IP65 (silicone sealant is needed, see the quick start guide)
Operating Temperature	–30 °C to +60 °C (–20 °F to +60 °F)
Operating Humidity	10%–95% (RH) (non-condensing)
Operating Altitude	Beneath 3,000 m (9,842.52 ft)
Power Consumption	Standby ≤ 2 W; working ≤ 6 W
Gross Weight	0.25 kg (0.55 lb)
Net Weight	0.32 kg (0.72 lb)

DH-PFS3006-4ET-36

## System

Main Processor	Embedded processor
Network Protocol	IEEE802.3af, IEEE802.3at

## Function

Communication Mode	Full digital
--------------------	--------------

## Performances

Casing	SECC
--------	------

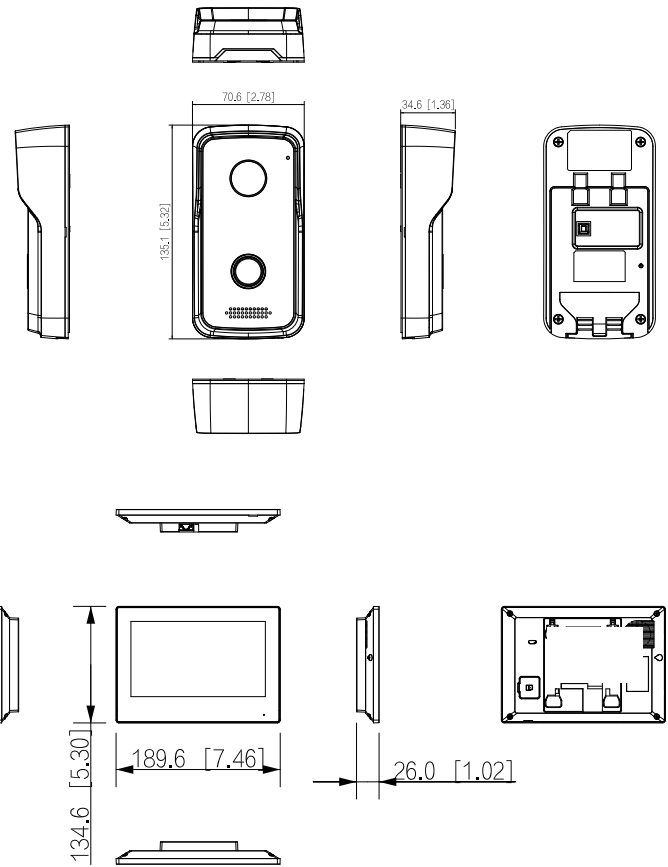
## Port

Network Port	4 PoE ports with 10/100 Mbps Base-TX 2 uplink ports with 10/100Mbps Base-TX
Storage	Micro SD Card, Max 64 GB (reserved for software)

## General

Appearance color	Black
Power Supply	100–240 VAC
Certifications	CE; FCC; UL
Accessory	power cable included
Product Dimensions	194.0 mm × 108.1 mm × 35.0 mm (7.64" × 4.26" × 1.38")
Operating Temperature	-10 °C to +55 °C (+14 °F to +131 °F)
Operating Humidity	10%–95% (RH) (non-condensing)
Operating Altitude	Beneath 3,000 m (9,842.52 ft)
Power Consumption	Idling: 0.5 W Full load: 36 W
Net Weight	0.56 kg (1.23 lb)
Gross Weight	1.11 kg (2.15 lb)

## Dimensions (mm[inch])



## Application

